

DEBASEAL® *container seals*
Utmost security in two versions.
With and without anti-spin mechanism.

DEBATIN®
SAFE. PERFECT. PACKED.



► **DEBASEAL®** *container seals* *Extremely reliable container seals,*
with or without anti-spin mechanism as required, to meet the very highest security demands. For securely sealing
containers, warehouses and vehicles.

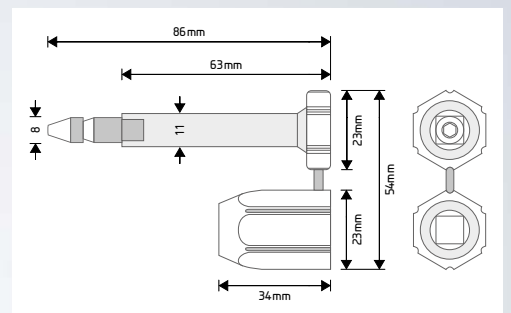
Overview of features:

- For sealing 20/40-foot shipping & rail containers (ISO containers), warehouses, vehicles

DEBASEAL[®] container seals / DEBASEAL[®] anti-spin container seals

certification: C-TPAT (Customs-Trade Partnership against Terrorism): From the year 2012 on, ISO containers have had to be sealed with a high-security seal conforming to the newest ISO/PAS 17712-2013 standards in order to receive preferential treatment in US American ports. UK customs group 1.

- Easy to attach with just one hand thanks to inbuilt spring. Bolt cutter required for removal.
- Can be closed and sealed simultaneously
- Extremely reliable and secure
- Unique, consecutive numbering. Double labelling on bolt and body of seal.
- Resistant to wear thanks to direct lasering
- Plastic coating clearly indicates any attempt at tampering, and effectively prevents corrosion
- Patented closure mechanism



Our standard range

| Item no. | Colour | Material | Dimensions when closed | Diameter of steel rod | Diameter of bolt, coated | Diameter of bolt / body | |
|---|--------|--------------------------------|------------------------|-----------------------|--------------------------|-------------------------|--------------------------------------|
| 400H0000398 | yellow | Steel with ABS plastic coating | 94 x 23 mm | 8 mm | 11 mm | 4 x 25 mm / 12 x 25 mm | |
| Available barcode | | | Breaking load | Printing method | Units | Minimum order | Minimum order for customised orders: |
| 7-digit numbering, preceded by one letter | | | 1300 kgf / 12.8 kN | Direct laser print | 250 pcs | 250 pcs | 10,000 pcs |

Optional

- Other colours
- 6-digit barcode
- Numbering up to 12 digits